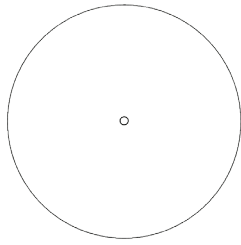


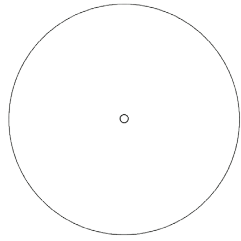
YOU HAVE



Base Cover x 1



Pole x 1



Base x 1



Plate x 1



Top Head Holder x 1



Top Head x 1



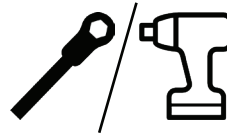
Bolt x 1

*
The bolt has been
assembled with 2 washers

YOU NEED

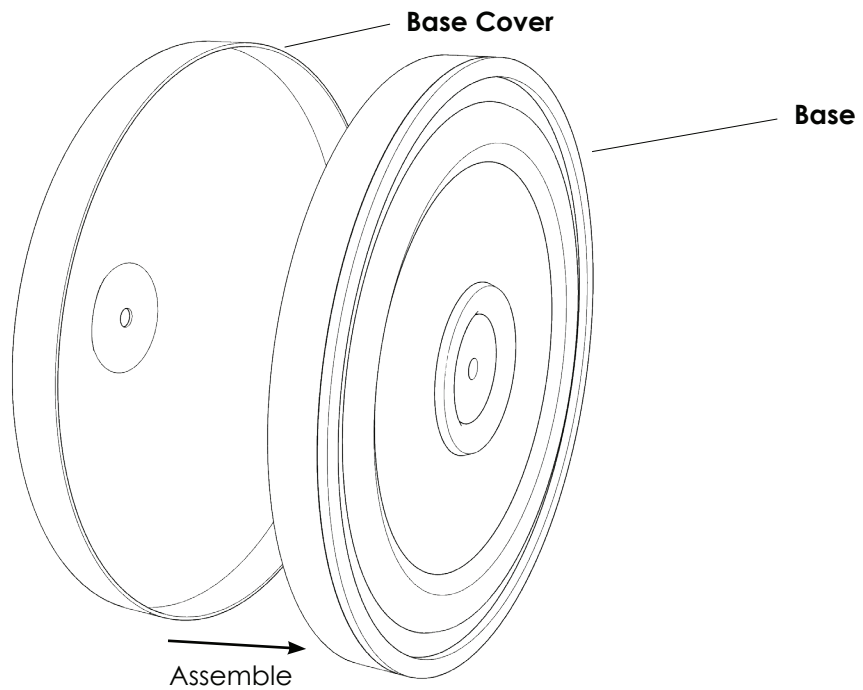


19mm Socket x 1

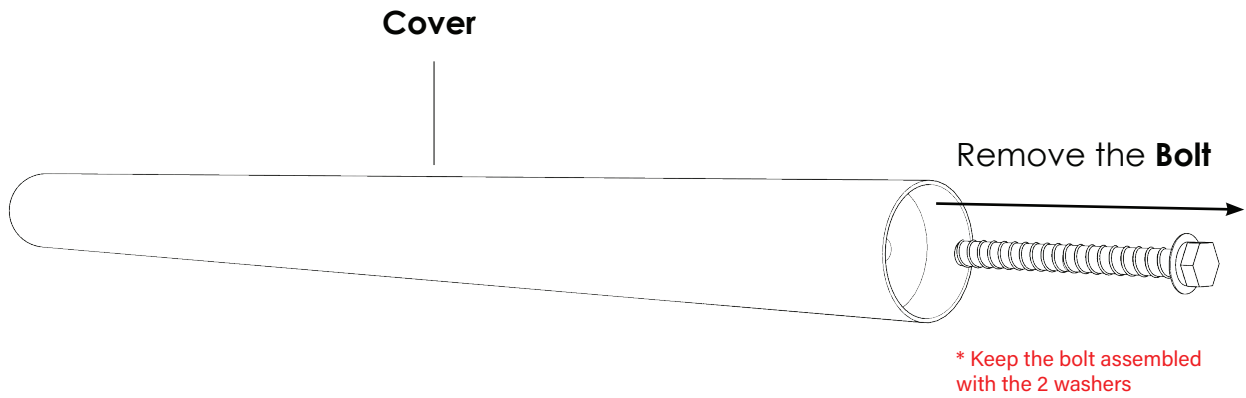


Ratchet/Impact Driver x 1

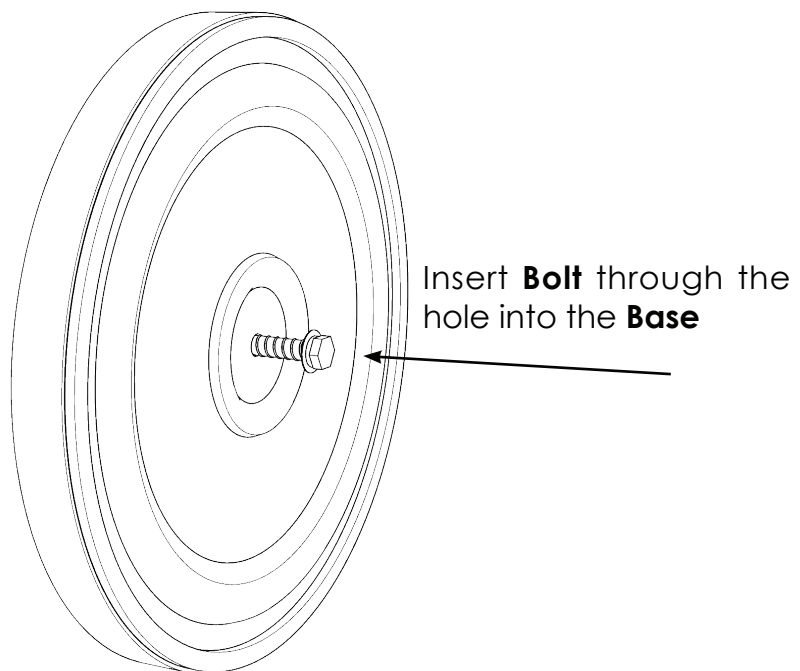
STEP 1



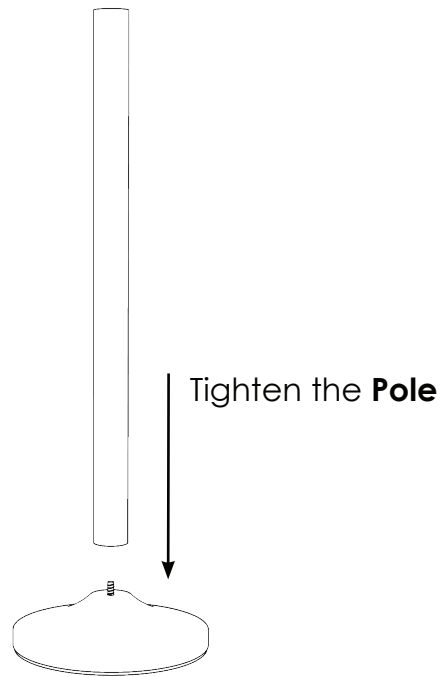
STEP 2



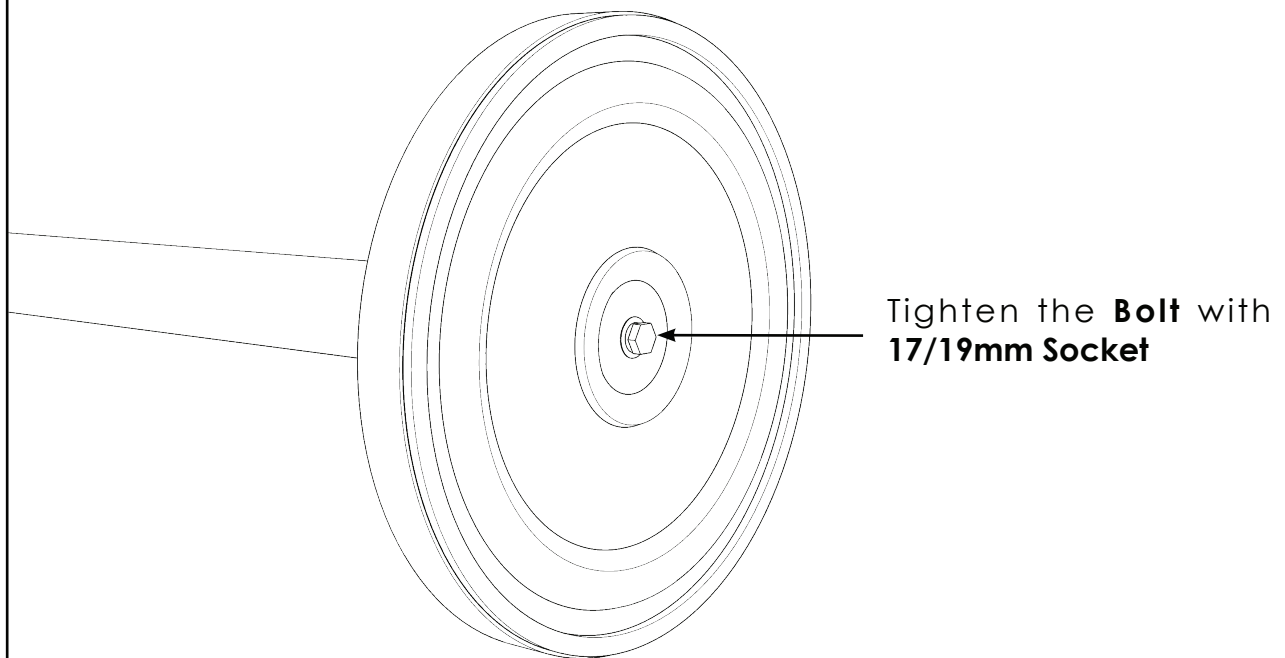
STEP 3



STEP 4

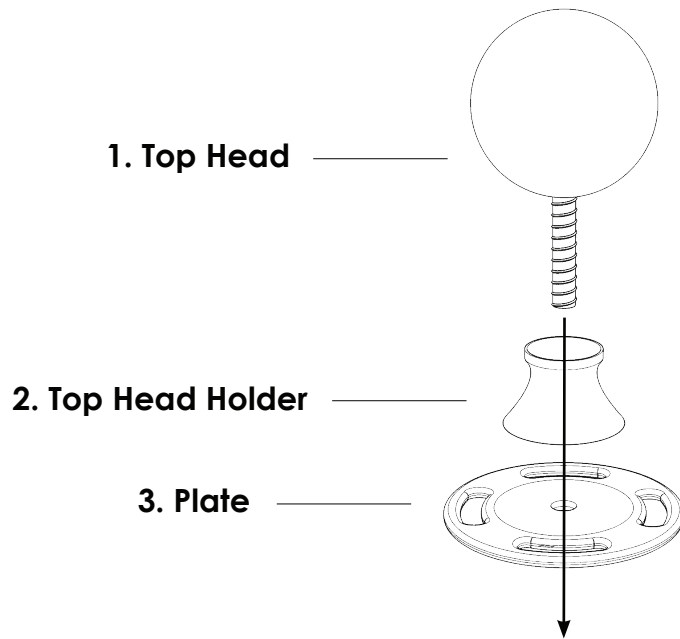


STEP 5

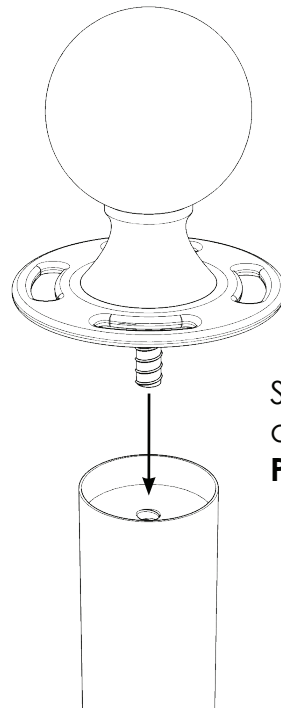


STEP 6

* The head part should be already assembled, if not, please assemble them by STEP 6



STEP 7



Stand the product upright
and screw the **Head** into the
Pole

FINAL

