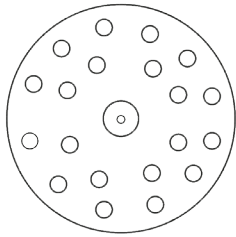


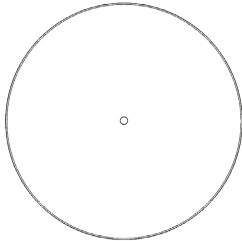
# YOU HAVE



Base x 1



Pole x 1



Base Cover x 1



Plate x 1



Top Head Holder x 1



Top Head x 1



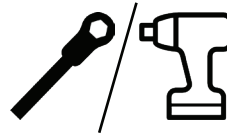
Bolt x 1

\*  
The bolt has been  
assembled with 2 washers

# YOU NEED

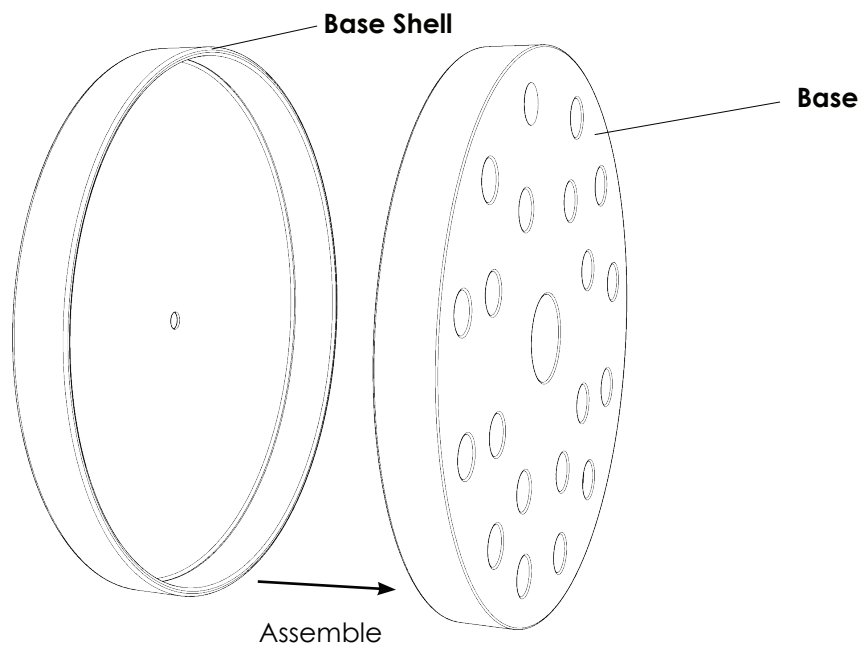


17/19mm Socket x 1

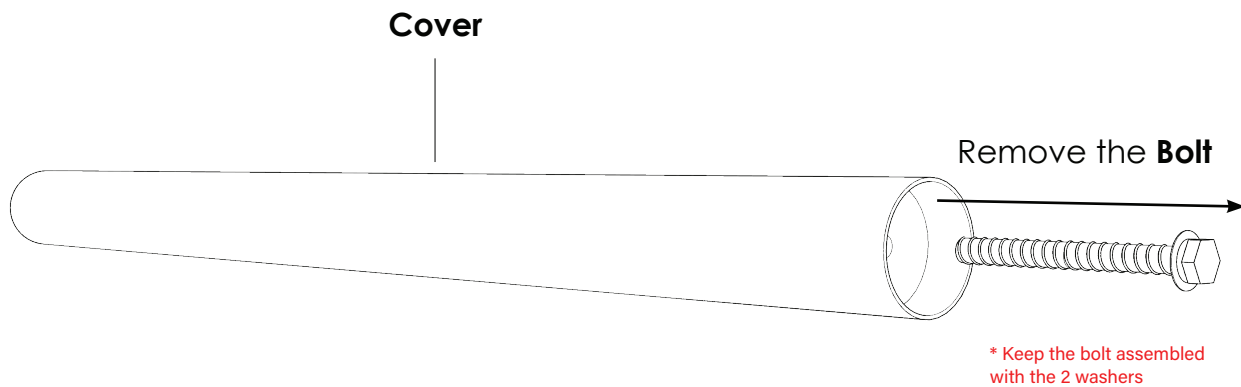


Ratchet/Impact Driver x 1

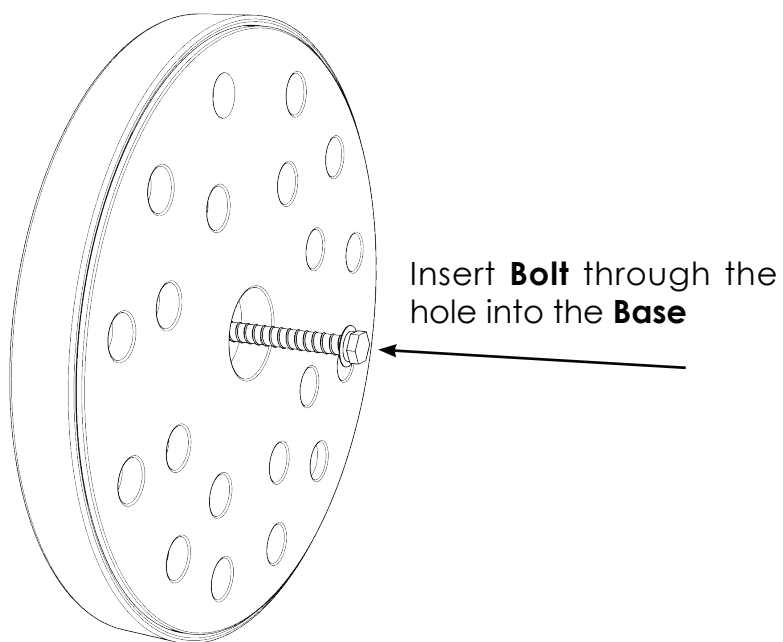
## STEP 1



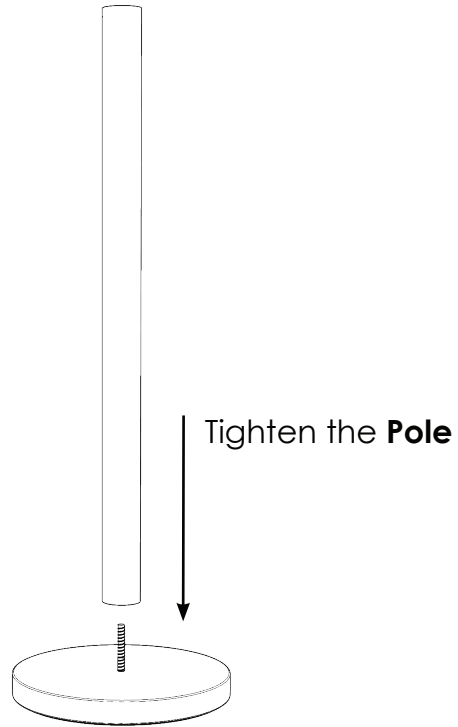
## STEP 2



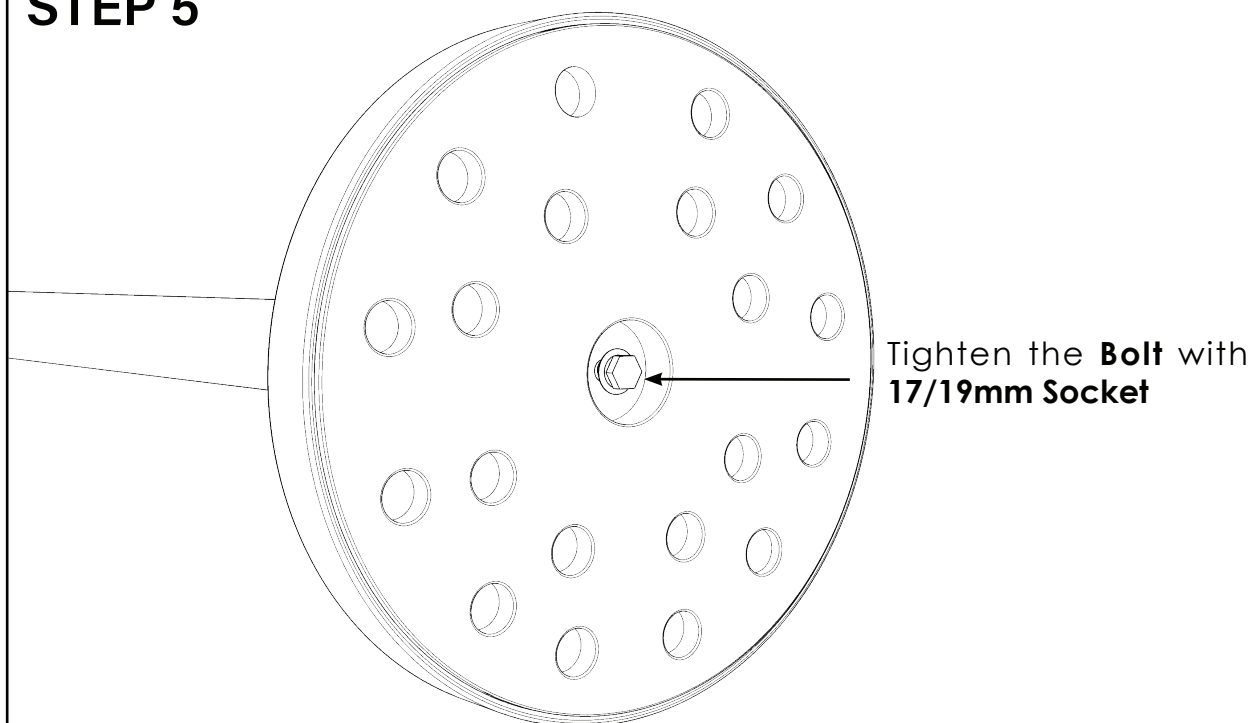
## STEP 3



## STEP 4

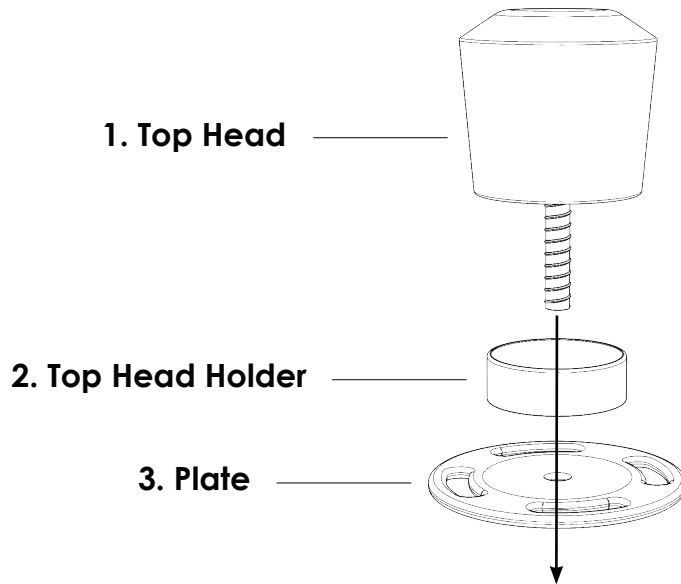


## STEP 5

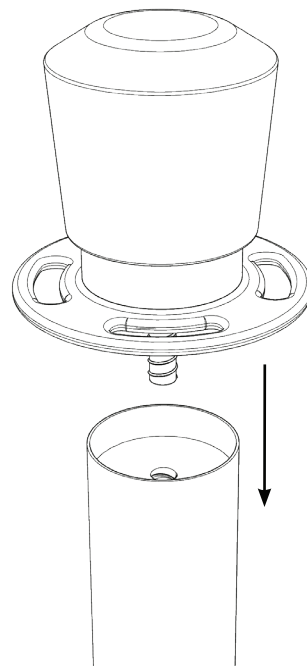


## STEP 6

\* The head part should be already assembled, if not, please assemble them by STEP 6



## STEP 7



Stand the product upright  
and screw the **Head** into the  
**Pole**

**FINAL**

